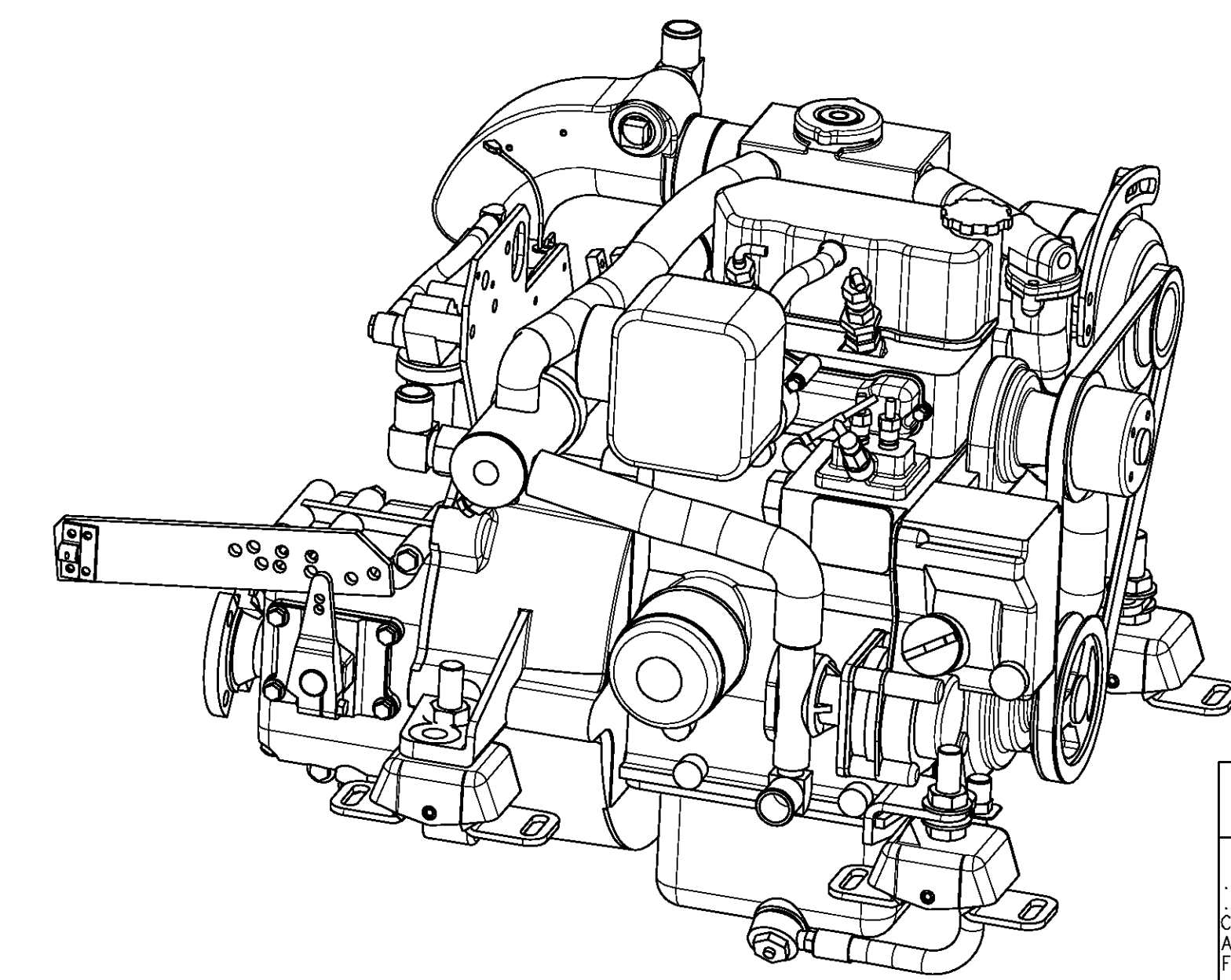
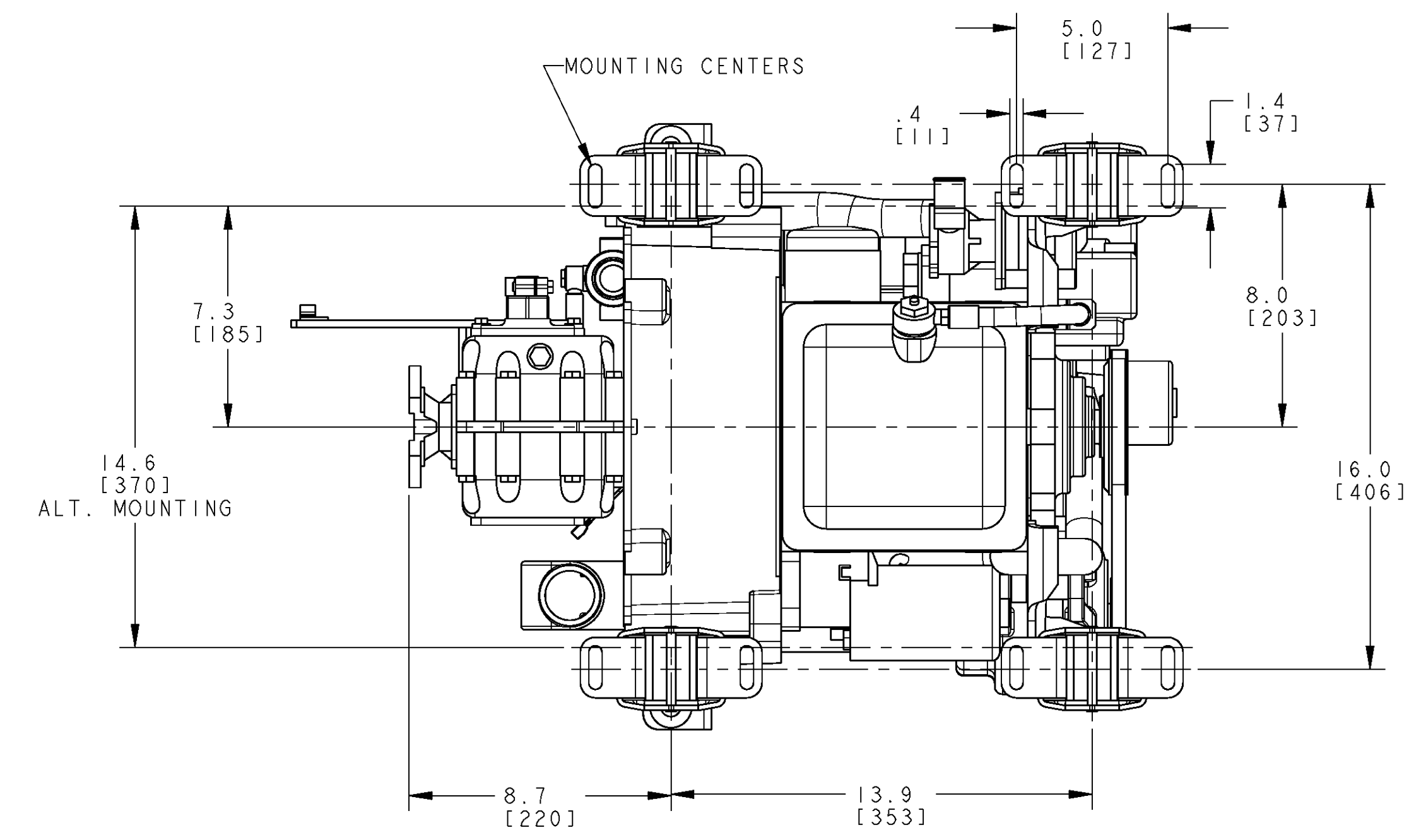
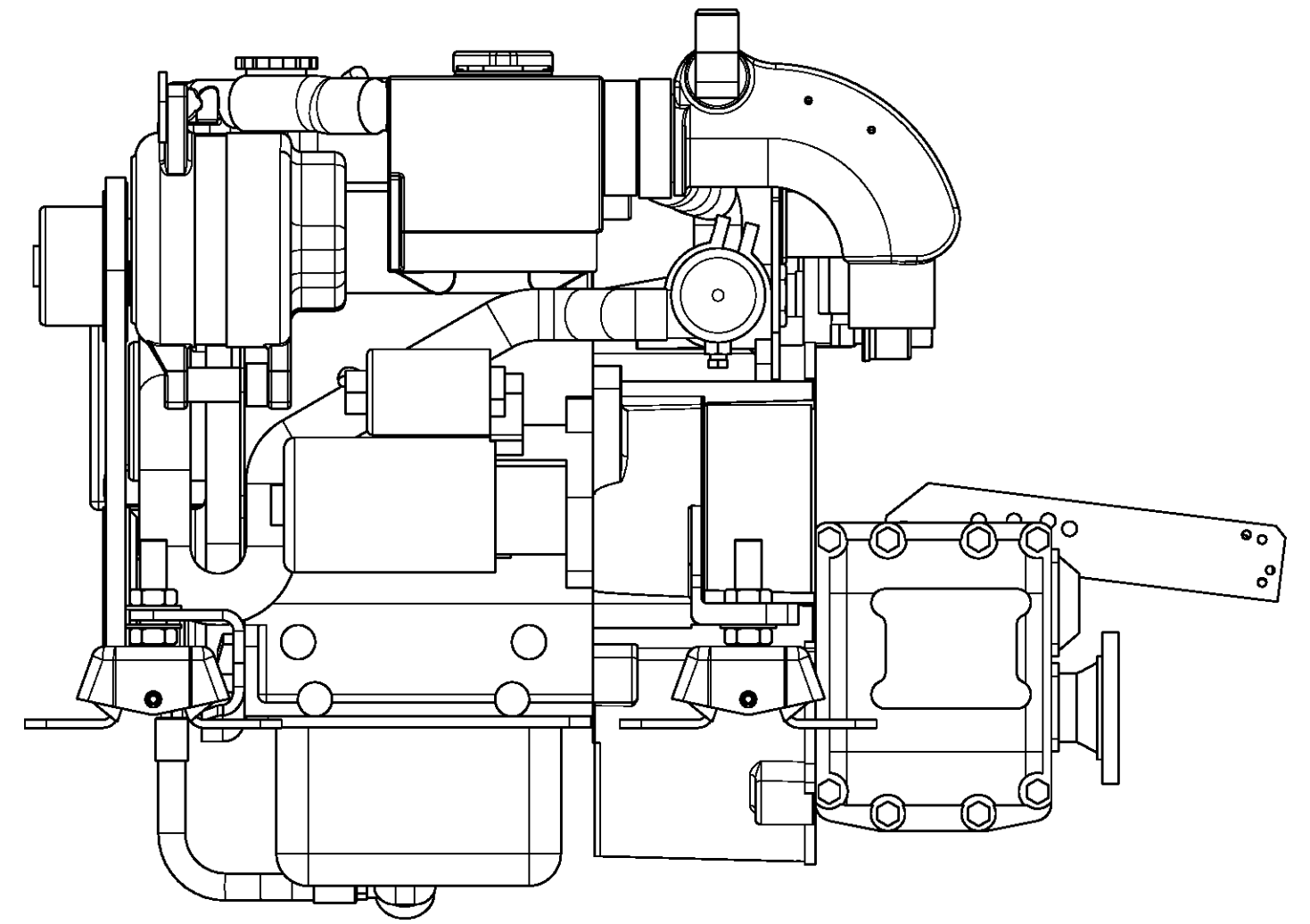
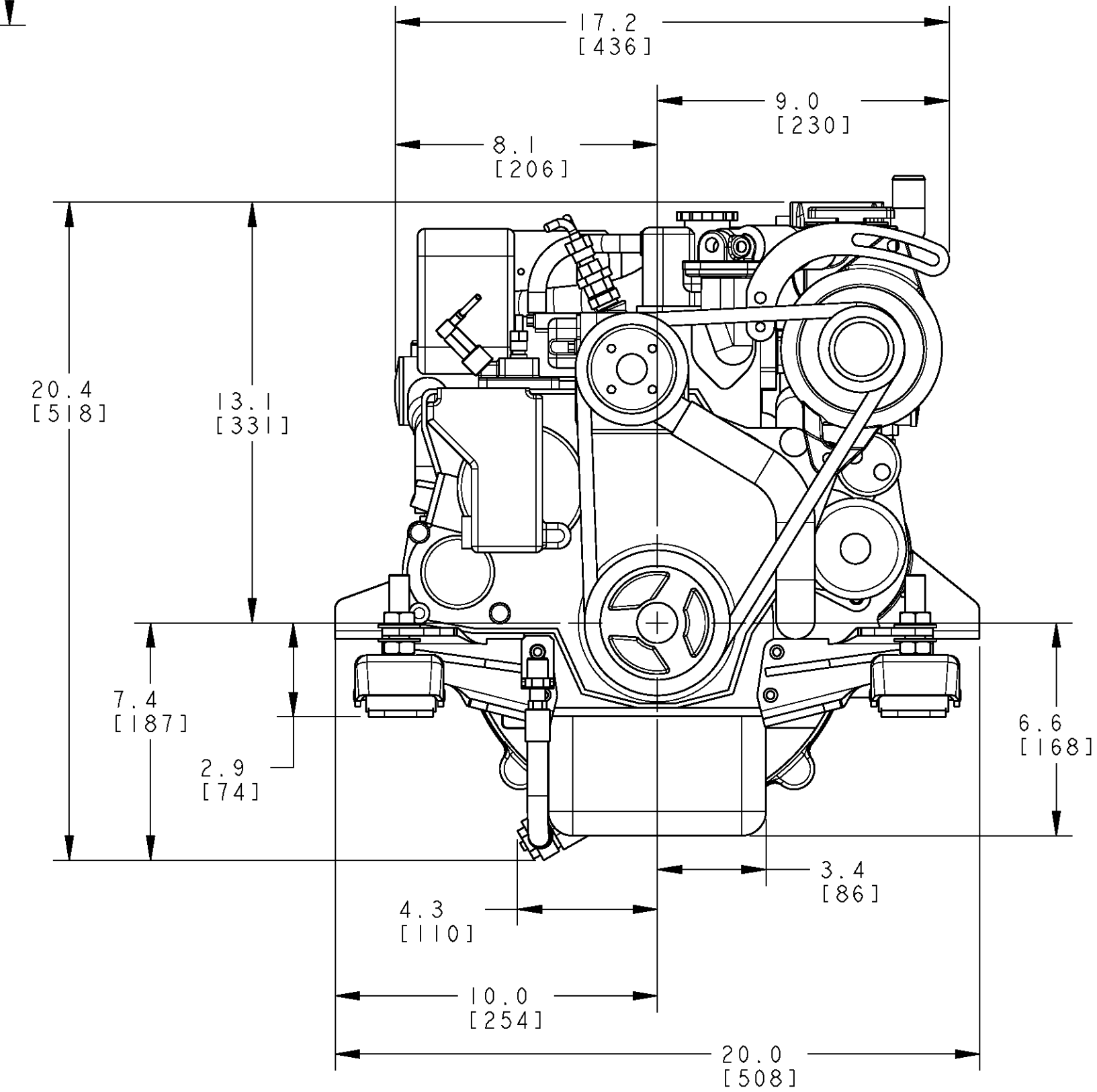
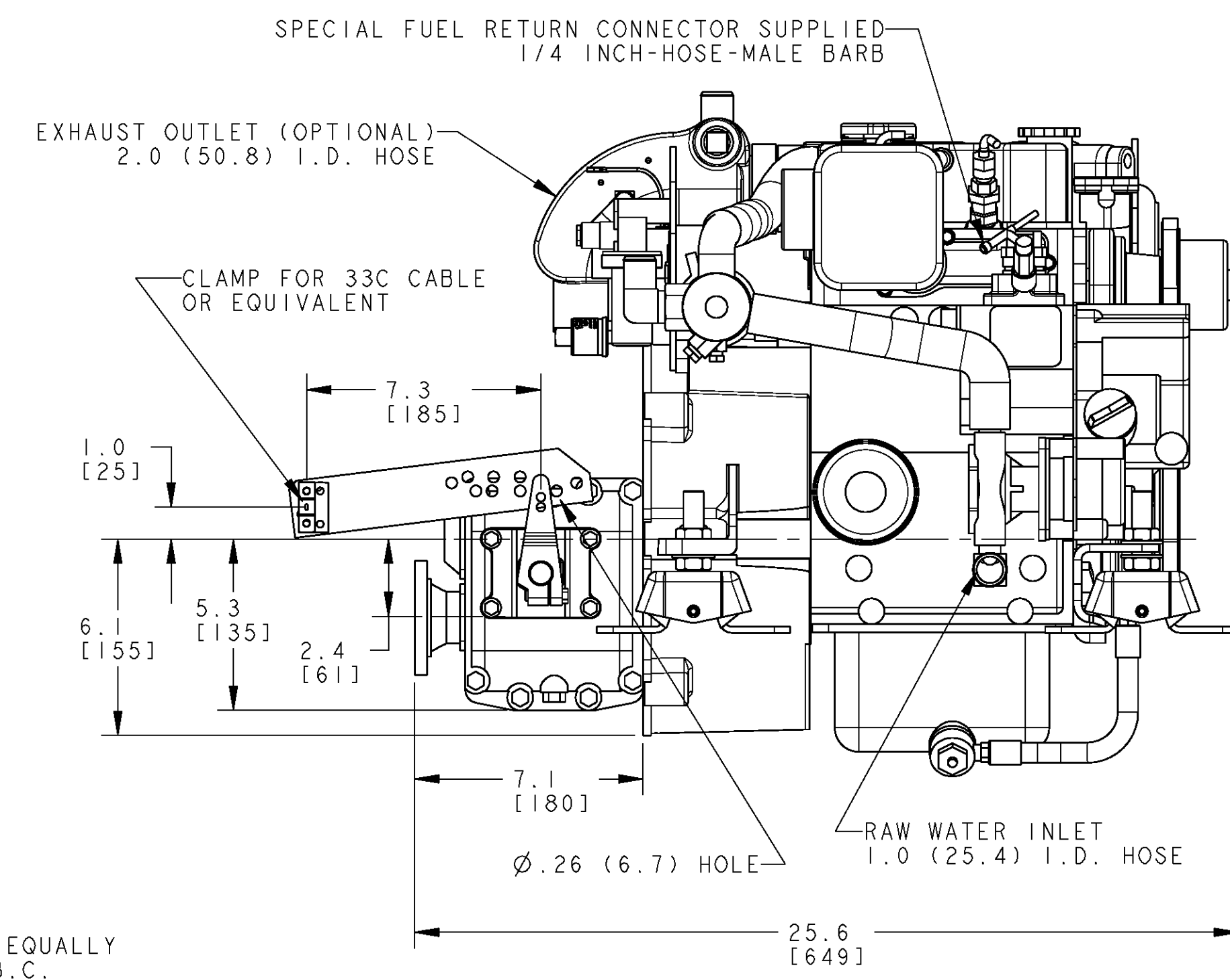
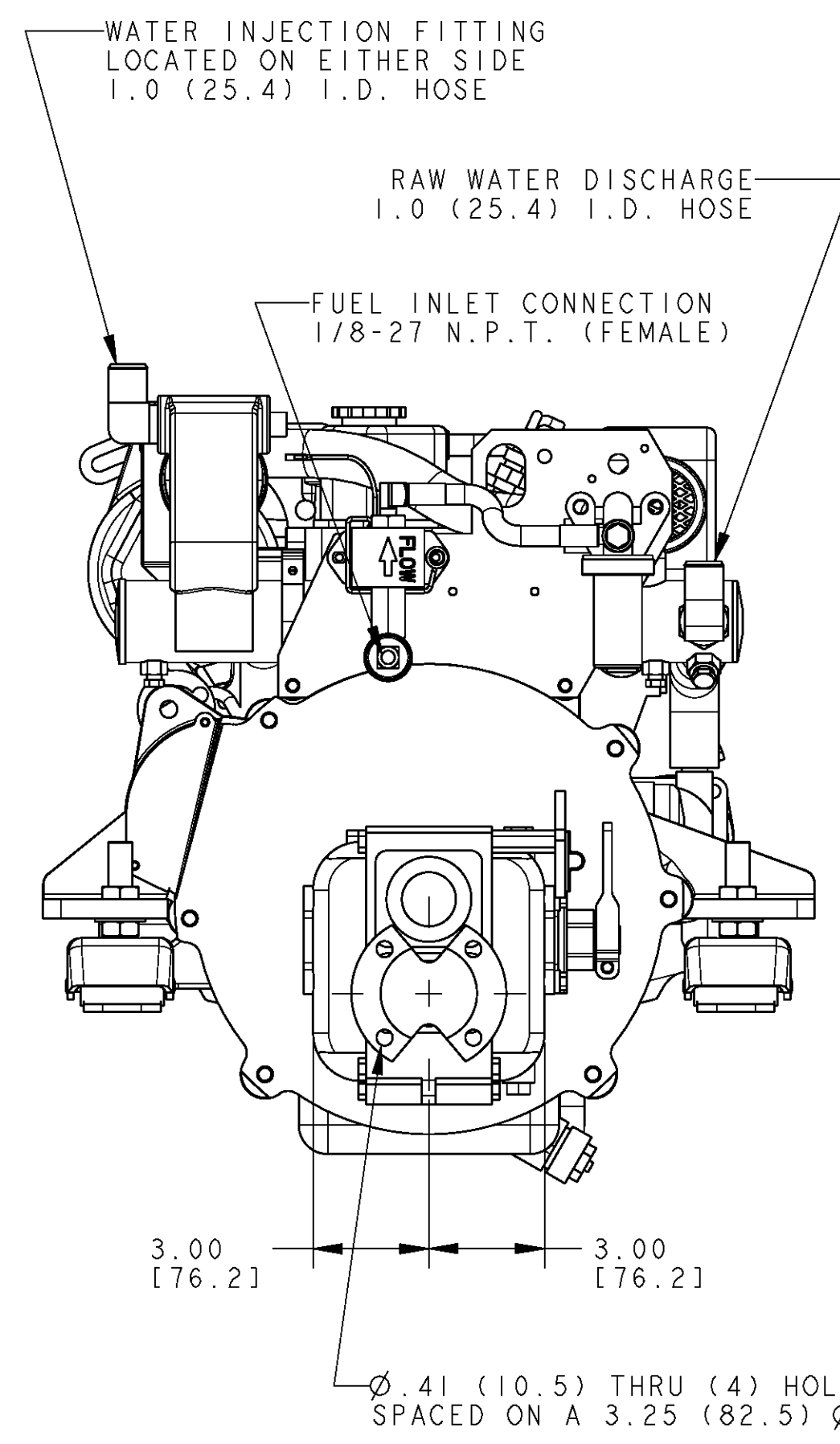
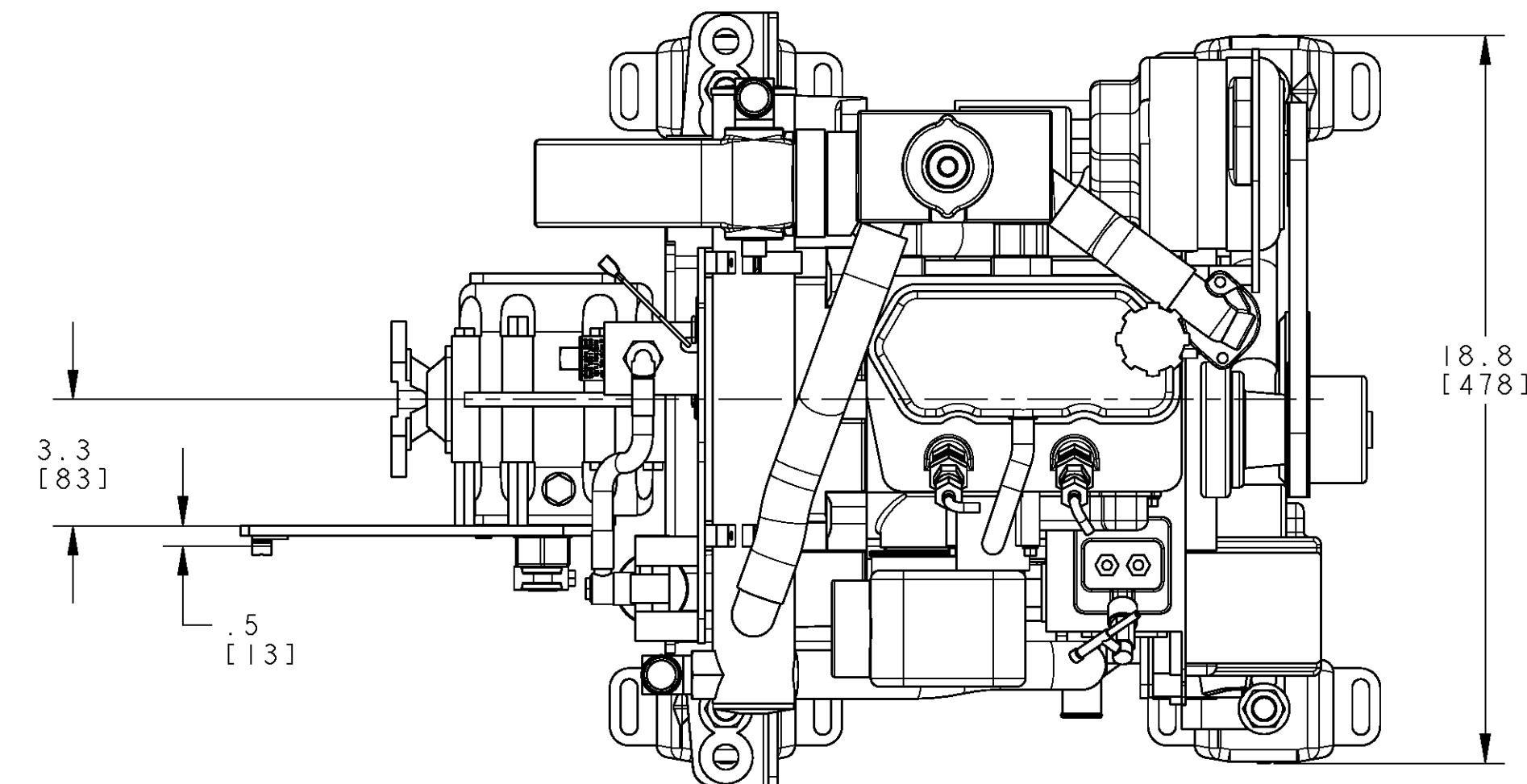


ECO NO.	DATE	REV.	REVISION RECORD	AUTH.	DR. BY
6558	8-25-2008	A	RELEASE PART TO SYSTEM.		GA



TOLERANCES (UNLESS OTHERWISE NOTED)		WESTERBEKE CORPORATION TAUNTON, MA. 02780			
INCHES	MILLIMETERS	TITLE INSTALLATION DRAWING 12C TWO WITH ZFIOM TRANSMISSION			
.XX : .02	.X : ± 1.0	DRAWN BY GA DATE 8-22-2008 MATERIAL:			
.XXX : .005	.X : ± .5	APPROVED BY DATE			
CAST : .03	.XX : ± .13	SCALE 0.250 SIZE DRAWING NUMBER REV.			
FINISH 3		SHT. 1 OF 1 D 54276 A			